



PAX NORTE®

FULLY AUTOMATIC SMART FAN

FANS



Product Description

The Pax Norte® from Aldes is a fully automatic bathroom fan and comes ready to work in silence. Easy to install a bathroom fan. Take it out of the box, connect it, and THE Pax is ready to start working.

Features

The fan's basic setting is for continuous operation at low speed with moisture and light sensors activated. This ensures constant healthy air circulation and a better indoor climate throughout the dwelling. Quiet and easy to install and operate, **this fan consumes just 4W of energy**. Download Pax's smart app and get a range of different functions such as a smart calendar function, which allows you to activate your options according to which day it is. Also, try the boost mode, airing function, constant flow, or simply use the fan as a heat distributor.

Warranty

The entire unit is guaranteed for (5) years, from the date of shipment, against all manufacturing defects, provided the material has been installed and operated per manufacturer's instructions and under normal conditions. Warranty is limited to the repair or replacement of the material upon its return freight paid to our factory. This warranty is not transferable and is limited to the original end user.

What you get

1. Fully automatic fan, ready to use
2. Choose between 5 preset profiles and have the opportunity for more settings and adjustments via the Pax app.
3. Easy to install and use.
4. Very quiet 17-20dB @10 Ft.
5. Effective, 65 CFM free blowing
6. Energy-saving, maximum 4 W
7. Boost function
8. Separate 12 V input
9. Safe and secure. Each fan is thoroughly tested and UL listed.



THE APP allows you to select several functions and make adjustments. Download the Pax's intelligent app, you can unlock your Norte and have the opportunity to choose between 5 different preset modes, or profiles.

More adjustments and settings. With the app you get a whole range of different functions such as a smart calendar function, which allows you to activate your Pax according to which day it is, or boost mode, airing function, constant flow, or the option to simply use the fan as a heat distributor.

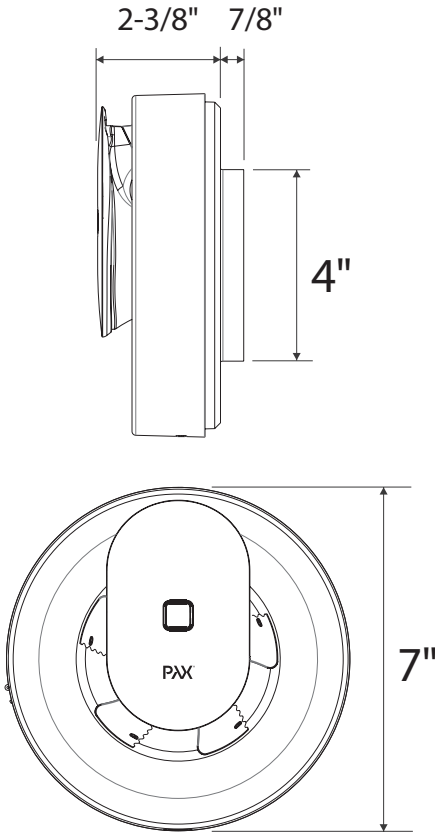
Innovation in every detail. Pax Norte was developed and manufactured in Sweden, and we've taken an uncompromising approach to materials, the environment, and quality. Pax is full of state-of-the-art control technology, offers minimum energy consumption, and is very easy to clean.

Pax Norte may be one of the most versatile fans ever produced. And, as with all Pax products, every single fan has undergone stringent quality and safety tests.

APPLICATIONS

- Bathroom Exhaust
- Garage Ventilation
- Air Transfer Between Rooms
- Boats and Motorhomes
- Mobile Home Ventilation

Dimensions and Performance



Requirements for app functions:

Apple or Android OS devices with support for Bluetooth.

Default setting; continous operation, or select profile through the Pax app.

5 preset profiles can be selected via the app:

1. Norte Auto (*Continuous basic ventilation*)
2. Norte humidity-controlled
(*Can be combined with backdraft damper*)
3. Norte switch-operated, with run-on time
(*Can be combined with backdraft damper*)
4. Norte switch-operated on/off
(*Can be combined with backdraft damper*)
5. Norte heat distributor



PAX Backdraft Damper **Optional**
Part No. 89 553



PAX Wall Duct Kit **Optional**
Part No. 89 555

Settings via app:

- Flow adjustments
- Calendar function
- Forced ventilation
- Run-on time
- Start delay
- Luminous sensitivity
- Moisture sensitivity



Unpack and install, turn on, ready to use!



RH%



Light



Timer



Speed 1, 2, 3



Bluetooth



Heat transfer

Functions

Fully automatic. Three speed modes and a boost mode:

- Low speed (basic flow/basic ventilation).
- Medium speed (run-on via light sensor).
- High speed (activated via humidity sensor or started manually via switch).
- Boost mode, programmed or activated via app

Location

Installed with own separate duct 4-6 inches.

Multi-pole switch: Integrated for 100-240 V AC wiring.

Functions - Basic setting, 3 speed positions:

1. Low speed (basic flow/ventilation):

Pax Norte is programmed to cope with the vast majority of installations. The fan works continuously with a basic flow of approximately 20 CFM.

2. Medium speed (run-on via light sensor):

When the light changes, when a light is switched on or when shadows change due to movement in a room, the flow increases to approximately 35 CFM.

If the humidity rises rapidly, for example when the shower is on, the fan goes up to maximum flow at approximately 55 CFM.

3. High speed (activated via humidity sensor or started via switch):

When the humidity has been removed, the fan reverts to the basic flow of approximately 20 CFM.

Model	Pax Norte®
Part number	1560-1
All-pole cut-out	Yes
Capacity, free blowing [CFM]	65 CFM
Capacity, free blowing [l/s]	30
Max. pressure	0.1 in wg
Power consumption [W]	4W
Sound pressure level [dB(A) 3 m], min. speed	17-20 dB(A) 3 m
Voltage/Frequency	230V AC 50Hz / or 12V DC
Motor type, all mounted in ball bearings	DC
Bluetooth	BTLE4
IP code	IP44
Insulation class	Class II (does not require earth protection)
Certificate	S – Intertek
Other markings	CE
Duct dimension	Ø4" or 7"
Temperature range	41°F - 95°F
Electrical installation	Qualified installation engineer
Unit weight [lb]	0.83 lb