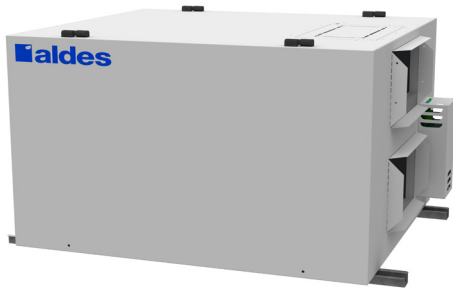




Intertek  
C22.2 no113  
UL 1812



# LIGHT COMMERCIAL SERIES

## ERV

### E1100L-Fi-EC-N

Energy Recovery Ventilator  
1000 CFM at 0.4 in.w.g (ESP)



CORE

OTHER PARTS

### PRODUCT DESCRIPTION

The E1100L-Fi-EC-N energy recovery ventilator provides up to 1000 cubic feet per minute (470 L/s) of fresh outdoor air while exhausting an equivalent amount of stale indoor air, creating a well-balanced ventilation system. The E1100L-Fi-EC-N makes use of Aldes' AHRI Certified High Latent Transfer enthalpic cores that deliver superior moisture transfer and can be used in any climate zone. The highly efficient and quiet variable-speed EC motors use on average 80% less electricity of the E1100L-Fi-N at low speed, significantly increasing return on investment.

The E1100L-Fi-EC-N is recommended for midsized non-residential spaces or dedicated zones within larger buildings such as classrooms, common areas of residential complexes and indoor parking garages.

Designed for versatile indoor installation, Aldes light commercial ventilators can fit almost anywhere and still provide easy access to the internal components for quick maintenance. The units also offer a choice of five continuous operation speeds and a demand-controlled high speed exchange mode.

### KEY FEATURES

Electronically and independently adjustable supply and exhaust blowers (FlexControl).

Painted, heavy-gauge galvanized steel cabinets are attractive, rust-resistant and extremely durable.

Doors on both sides of the unit to allow easy access to filters, cores and motors, no matter the installation constraints.

Fan exhaust frost protection, or optional recirculation defrost kit (factory installed or upgraded in the field).

Four highly efficient and noise reducing RadiCal centrifugal fans with EC motors from EBM Papst.

Durable High Latent Transfer enthalpy core has exceptional moisture transfer for increased comfort.



### Plate Exchanger

Material: High latent transfer (HLT)

### Casing

Material: Painted galvanized steel 22GA  
Insulation: 1"(25 mm) Fiberglass with FSK  
Drain Connection: Ø 1/2" (Ø 13 mm)  
Duct Connections: 20" x 8" (508mm x 203mm)  
Width: 36-1/4" (921mm)  
Height: 23-7/8" (606mm)  
Depth: 47-1/4" (1200mm)  
Unit Weight: 204 lb (93 kg); 214 lb (97 kg) with recirculation  
Shipping Weight: 261 lb (118 kg); 271 lb (193 kg) with recirculation



### Mounting

Supplied with base rails. Support rods by others.



### Electrical Requirements

230V/1p/60 Hz: FLA 5.6A, MCA 6.0A, MOP 15A  
208V/1p/60 Hz (with field modification): FLA 6.0A, MCA 6.4A, MOP 15A  
Terminal block for direct wiring to the building's electrical system.  
Fused disconnect not included.



### Frost Control

Cycles controlled by a temperature sensor when outdoor temperatures fall below 14°F (-10°C).

- Standard: Exhaust Defrost
- Optional: Recirculation Defrost (P/N 683950)



### Blowers

Four backward-inclined motorized impeller, direct drive EC motor, variable speed, external rotor.



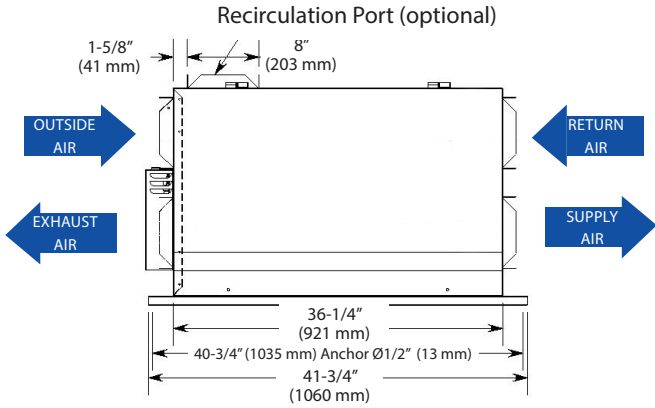
### Filters

Additional Air Pressure Drop with Optional Filters		Filter type	P/N	#Filters in pack
Filter Type	Airflow CFM (L/S)	Aluminium	612266	2
Aluminium (standard)	500 (236) 800 (375)	MERV 8	607039	1
MERV 8 (optional)	0.04 0.08	High Efficiency	612265	2
High Efficiency (optional)	0.22 0.35			

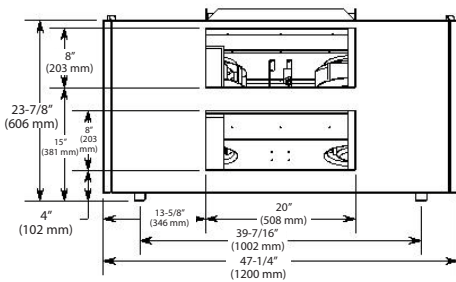
Note: This model requires a total of 6 filters. Make sure to get enough packs to meet the required amount.

# DIMENSIONS

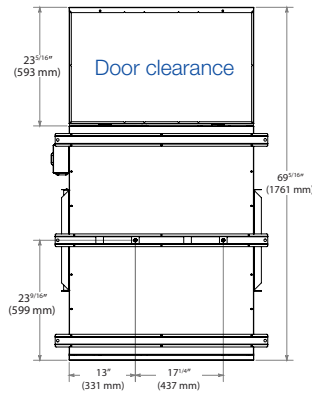
## FRONT VIEW



## SIDE VIEW



## BOTTOM VIEW



# PERFORMANCE

# CONTROLS

0-10 VDC inputs (for supply and exhaust) or multiple fixed speed options

Low-voltage dry contact (24 VAC, 20 VA) for:

- Occupancy Control (On/Off)
- Interlock contacts
- Optional Recirculation Mode

24 VAC, 10 VA output for supply and exhaust dampers (by others)

Compatible with :



Digital Multifunction Control  
(P/N 611242-FC)



LCD Electronic Multifunction Control  
(P/N 611227)



20/40/60 Minute Timer (P/N 611228)



Speed Control (Low/Intermittent/High)  
(P/N 611229)

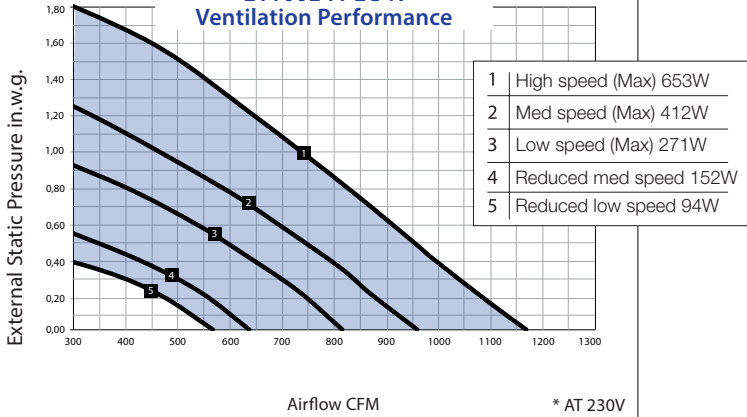


Mode Control (exchange or recirculation)  
(P/N 611230)

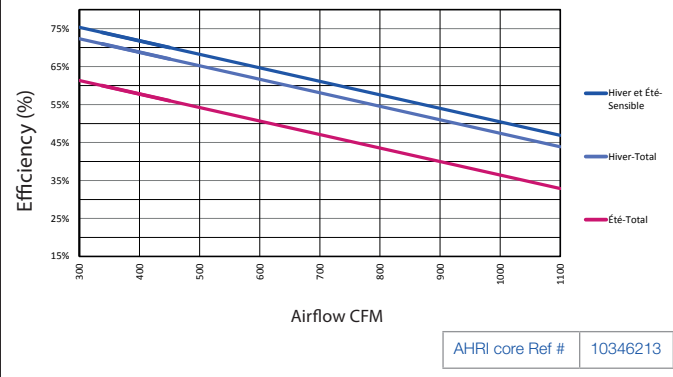


BACnet™ interface (P/N 611235)

## E1100L-Fi-EC-N Ventilation Performance



## E1100L-Fi-EC-N Core Efficiency



Project:	Architect:
Location:	Engineer:
Model #:	Contractor:
Quantity:	Comments:
Submitted By:	
Date:	

For more information, contact your Aldes sales advisor, visit [aldes-na.com](http://aldes-na.com), call 1.800.255.7749, or find us on

