



# INSPIRAIR® COMPACT

## ERV

### E130-HRX-M-N

ENERGY RECOVERY VENTILATOR  
167 CFM at 0.20 in.w.g (ESP)



UNIT

CORE

### PRODUCT DESCRIPTION

The ideal in-suite ventilation solution for high-rise construction, the E130-HRX-M-N delivers exceptional performance in a compact, easy-to-install package only 9-1/4" in height. Easily concealed in a drop-ceiling or soffit, the E130-HRX-M-N has been thoughtfully engineered for apartments, condos, and all dwellings that use concrete-slab construction. The E130-HRX-M-N delivers up to **167 CFM** of fresh air at 0.2 in.w.g (ESP), enough for even the largest units in multi-family construction.

The E130-HRX-M-N includes EC motors, Aldes' exclusive FLEXControl, electronic calibration that eliminates the need for balancing dampers and improves overall efficiency. Cold Supply Air Prevention (CSAP) stops air distribution to the dwelling for 135-minute cycles if the supply air temperature is below freezing, reducing the risk of damage to downstream equipment.

### KEY FEATURES

Electronically and independently adjustable supply and exhaust blowers (FLEXControl)

Forward-curved impellers on totally enclosed EC motors

Horizontal configuration for flexible mounting

Twist-in collars for easy flex-duct attachment

Easy access to core and filters for cleaning

Durable High Latent Transfer enthalpy core has exceptional moisture transfer for increased comfort, and no drain is required.



### Recovery Core

Material: High-latent-transfer (HLT)

### Casing

Material: Pre-painted 24-gauge galvanized steel

Drain Connection: None

Duct Connections: 5" (127 mm)

Insulation: 1" (25 mm) Fiberglass with FSK and polystyrene

Length: 24-1/8" (613 mm)

Height: 9-1/4" (235 mm)

Width: 22-3/4" (578 mm)

Weight: 35 lbs (16 kg); Shipping Weight: 41 lbs (19 kg)

Supply Damper: Motorized; Exhaust Damper: Gravity



### Mounting

Ceiling mount brackets (included) and optional chains (P/N 609051)



### Electrical requirement

120 VAC, 60 Hz, 2.46 A, 145 W



### Frost control

Automatic timed recirculation

Cycles controlled by a temperature sensor when the outdoor temperature drops below 14°F (-10°C)



### Filters

Type : 2 Washable Foam 20 ppi (P/N 612405)

Optional (sold separately): Washable MERV8 (P/N 683961), or High Efficiency/MERV13 Equivalent (P/N 612407)



### Blowers

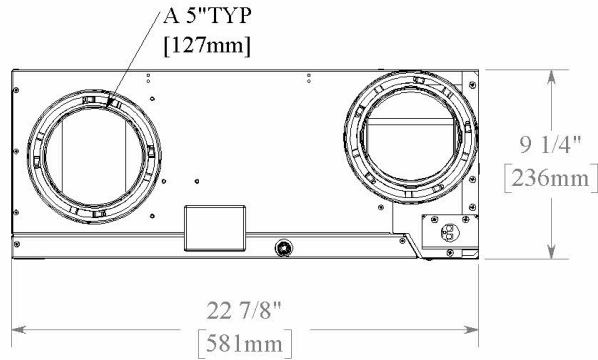
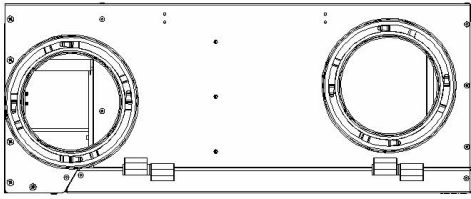
Two motorized impeller (backward-inclined)

### Acoustic Performance

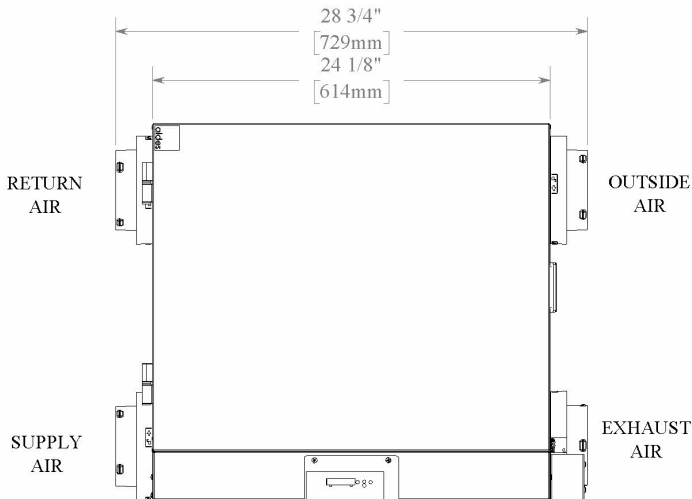
Airflow	Radiated	Supply Air	Exhaust Air
50 CFM	36 dBA	30 dBA	20 dBA
146CFM	49 dBA	46 dBA	38 dBA

Based on HVI Publication 915, using insulated flexible duct.

# DIMENSIONS



OPTIONAL FILTERS  
(SOLD SEPARATELY)  
MERV8:  
add 0.1" w.g.  
High Efficiency:  
add 0.2" w.g.



# CONTROLS

Low voltage dry contact (24VAC) for interlock with heating/cooling systems.



Digital Multifunction Control  
(P/N 611242-FC)



LCD Electronic Multifunction Control (P/N 611227)



20/40/60 Minute Timer  
(P/N 611228)

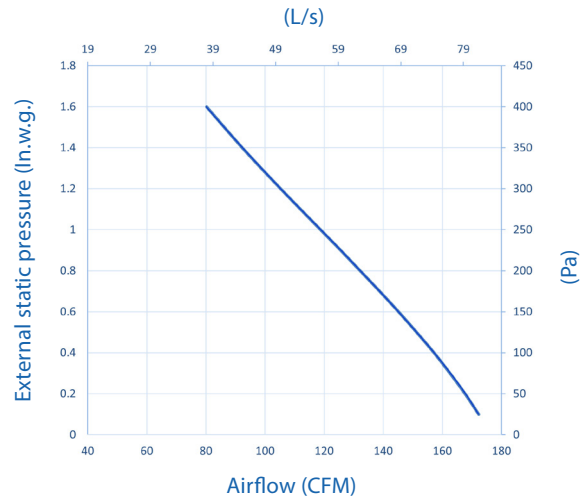


Speed Control (Low/Intermittent/High)  
(P/N 611229)

# PERFORMANCE

Recovery Performance – E130-HRX-M-N								
Outside Air Temperature		Net Airflow		Power Consumed (W)	Sensible Recovery Efficiency	Adjusted Sensible Recovery Efficiency	Latent Recovery / Moisture Transfer	Total Recovery Efficiency
°F	°C	CFM	L/s					
<b>Heating</b>								
32	0	51	24	27	67%	71%	56%	-
32	0	66	31	33	66%	70%	52%	-
-13	-25	66	31	55	58%	60%	54%	-
<b>Cooling</b>								
95	35	50	23	28	-	-	62%	61%

## E130-HRX-M-N Ventilation Performance



Project:	
Location:	
Model #:	
Quantity:	
Submitted By:	
Date:	
Architect:	
Engineer:	
Contractor:	
Comments:	

For more information, contact your Aldes sales advisor, visit [aldes-na.com](http://aldes-na.com), call 1.800.255.7749, or find us on



©2024 American ALDES Ventilation Corporation and ALDES Canada. All Rights Reserved. Reproduction or distribution, in whole or in part, of this document, in any form or by any means, without the express written consent of American ALDES Ventilation Corporation and/or ALDES Canada, is strictly prohibited. The information contained within this document is subject to change without prior written notice.

Corporation and/or ALDES Canada, is strictly prohibited. The information contained within this document is subject to change without prior written notice.