



INSPIRAIR® COMPACT

ERV

E80-HRG

ENERGY RECOVERY VENTILATOR
74 CFM at 0.20 in.w.g (ESP)



UNIT

CORE

PRODUCT DESCRIPTION

The E80-HRG exchanges 74 CFM of air at 0.2 in.w.g (ESP), perfect for smaller dwellings in multi-unit residential buildings. The E80-HRG includes FLEXControl, electronic calibration that eliminates the need for balancing dampers and maximizes overall efficiency.

Recommendation : Ideal for small homes

KEY FEATURES

Electronically and independently adjustable supply and exhaust blowers (FLEXControl)

Gauge ports on the door for fast and reliable airflow readings

Non-dust-loading backward-inclined impellers on totally enclosed motors

Twist-in collars for easy flex-duct attachment

Easy access to core and filters for cleaning

Durable High Latent Transfer enthalpy core has exceptional moisture transfer for increased comfort and no drain required.

Recirculating defrost protects the core from freezing without putting the dwelling into negative-pressure

Exclusive free cooling economizer mode reduces the need for air conditioning in the spring and fall



Recovery Core

Material: High-latent-transfer (HLT) fixed plate enthalpic core

Casing

Material: Pre-painted 24-gauge galvanized steel

Drain Connection: None

Duct Connections: 5" (127 mm)

Insulation: 1" (25 mm)

Width: 22" (559 mm)

Height: 9" (230 mm)

Height: 27" (686 mm)

Weight: 43 lbs (19.5 kg); Shipping Weight: 48 lbs (22 kg)

Supply Damper: Motorized



Mounting

Ceiling mount brackets (included) and optional chains (P/N 609051)



Electrical requirement

120 VAC, 60 Hz, 0.6 A, 72W (MAX)

Cord Set: 36" (914 mm) with ground



Frost control

Automatic timed recirculation

Cycles controlled by a temperature sensor when the outdoor temperature drops below 18°F (-8°C)



Filters

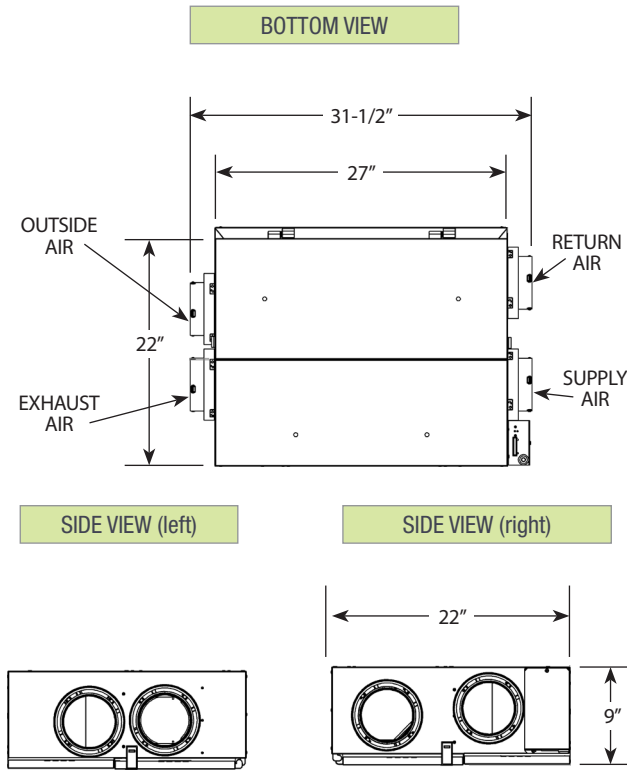
Type : MERV 6 (Two replacement filters P/N 612415)



Blowers

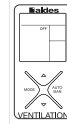
Two motorized impeller (backward-inclined)

DIMENSIONS

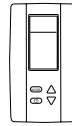


CONTROLS

Low voltage dry contact (24VAC) for interlock with heating/cooling systems.



Digital Multifunction Control (P/N 611242-FC)



LCD Electronic Multifunction Control (P/N 611227)

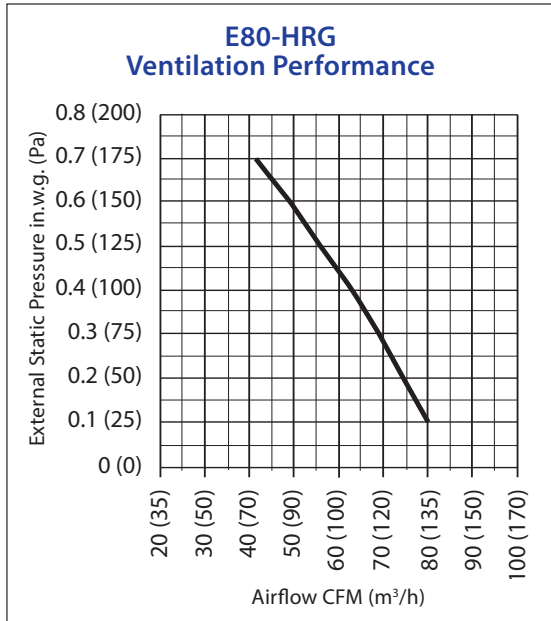


20/40/60 Minute Timer (P/N 611228)



Speed Control (Low/Intermittent/High) (P/N 611229)

PERFORMANCE



Recovery Performance – E80-HRG							
Supply Temperature		Net Airflow		Power Consumed (W)	Sensible Recovery Efficiency	Adjusted Sensible Recovery Efficiency	Latent Transfert
°F	°C	CFM	L/s				
Heating							
32	0	55	26	34	73%	77%	0.63
32	0	66	31	50	70%	76%	0.60
32	0	81	38	70	68%	74%	0.56
-13	-25	55	26	54	62%	65%	0.64
Cooling							
95	35	51	24	32	65%	67%	0.66

Free Cooling Specifications – E80-HRG								
Bypass Damper	Temperature In		Temperature Out		Net Airflow in Free Cooling Mode (CFM at 0.4 in. w.g.)			
	°F	°C	°F	°C	High Speed		Low Speed	
					CFM	L/s	CFM	L/S
Open - Starts Free Cooling	>72°	>22°	>55° OR <66°	>13° OR <19°	74	35	50	24
Close - Starts Heat Recovery	<72°	<22°	<55° OR >66°	<13° OR >19°	--	--	--	--

For more information, contact your Aldes sales advisor, visit aldes-na.com, call 1.800.255.7749, or find us on



©2024 American ALDES Ventilation Corporation and ALDES Canada. All Rights Reserved. Reproduction or distribution, in whole or in part, of this document, in any form or by any means, without the express written consent of American ALDES Ventilation Corporation and/or ALDES Canada, is strictly prohibited. The information contained within this document is subject to change without prior written notice.

Corporation and/or ALDES Canada, is strictly prohibited. The information contained within this document is subject to change without prior written notice.