



RESIDENTIAL

ERV

E190-TRG

ENERGY RECOVERY VENTILATOR
165 CFM at 0.40 in.w.g (ESP)

Made in Canada	5 year Warranty	5 year Warranty
	UNIT	CORE

PRODUCT DESCRIPTION


Compact size, large performance – the E190-TRG energy recovery ventilator produces approximately 165 CFM at 0.4 in w.g. (ESP) and recovers sensible and latent heat through its high-latent-transfer core. The E190-TRG has been thoughtfully engineered for simple installation in and spacious houses.


KEY FEATURES


- Electronically and independently adjustable supply and exhaust blowers (FLEXControl)
- Gauge ports on the door for fast and reliable airflow readings
- Non-dust-loading backward-inclined impellers on totally enclosed motors
- Twist-in collars for easy flex-duct attachment
- Easy access to core and filters for cleaning
- Durable High Latent Transfer enthalpy core has exceptional moisture transfer for increased comfort and no drain required.
- Recirculating defrost collar snaps into pre-punched area of cabinet for ducting flexibility


 **Recovery Core**
Material: High-latent-transfer enthalpy

Casing
Material: Pre-painted 24-gauge galvanized steel
Duct Connections: Ø 6" (Ø 152 mm)
Insulation: Molded EPS
Width: 29-3/16" (741 mm)
Height: 21" (533 mm)
Depth: 15-1/8" (384 mm)
Weight: 46 lbs (21 kg); Shipping Weight: 51 lbs (23 kg)
Supply Damper: Motorized; Exhaust Damper: Gravity

 **Mounting**
Suspended by chains with vibration-isolating springs

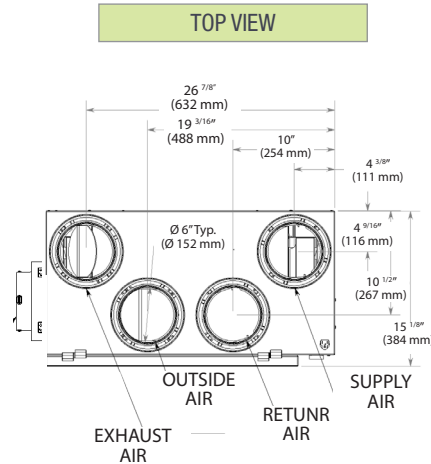
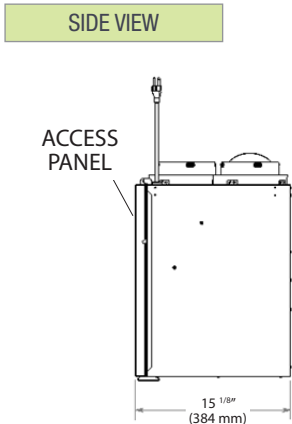
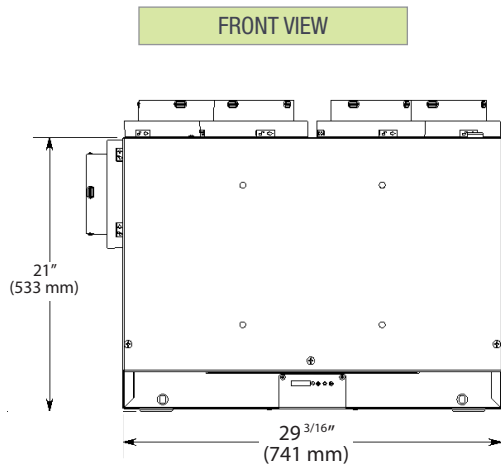
 **Electrical requirement**
120 VAC, 60 Hz, 1.95 A, 155 W
Cord Set: 48" (1219 mm) with ground

 **Frost control**
Automatic timed recirculation, fifth port. Cycles controlled by a temperature sensor when outdoor temperature drops below 14°F (-10°C)

 **Filters**
Type : Aluminum (P/N 683959)
Option : MERV 6 (P/N 683958) or high-efficiency MERV 13 (P/N 683957)

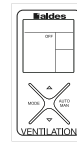
 **Blowers**
Motorized impellers (backward-inclined)

DIMENSIONS

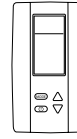


CONTROLS

Low voltage dry contact (24VAC) for interlock with heating/cooling systems.



Digital Multifunction Control (P/N 611242-FC)



LCD Electronic Multifunction Control (P/N 611227)



20/40/60 Minute Timer (P/N 611228)



Speed Control (Low/Intermittent/High) (P/N 611229)

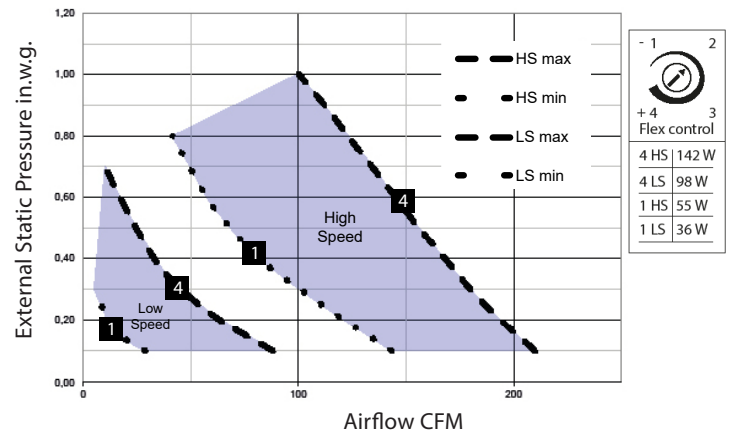


Mode Control (Recirculation) (P/N 611230)

PERFORMANCE

Outside Air Temperature		Net Airflow		Power Consumed (W)	Sensible Recovery Efficiency	Adjusted Sensible Recovery Efficiency	Latent Recovery/Moisture Transfer	Total Recovery Efficiency
°F	°C	CFM	L/s					
Heating								
32	0	51	24	52	76%	84%	0.69	-
32	0	81	38	62	72%	78%	0.66	-
32	0	119	56	106	67%	73%	0.60	-
-13	-25	74	35	89	60%	63%	0.63	-
Cooling								
95	35	81	38	62	-	-	0.55	56%

E190-TRG Ventilation Performance



Project:		Architect:	
Location:		Engineer:	
Model #:		Contractor:	
Quantity:		Comments:	
Submitted By:			
Date:			

For more information, contact your Aldes sales advisor, visit aldes-na.com, call 1.800.255.7749, or find us on

