



# INSPIRAIR® COMPACT

## ERV

### E130-HF-M-N

ENERGY RECOVERY VENTILATOR  
106 CFM at 0.20 in.w.g (ESP)

Made in  
Canada

5 year  
Warranty

5 year  
Warranty

UNIT

CORE

### PRODUCT DESCRIPTION

The ideal in-suite ventilation solution for high-rise construction, the E130-HF-M-N delivers exceptional performance in a compact, easy-to-install package only 9-1/4" in height. Easily concealed in a drop-ceiling or soffit, the E130-HF-M-N has been thoughtfully engineered for apartments, condos, and all dwellings that use concrete-slab construction. The E130-HF-M-N exchanges approximately **106 CFM** at 0.20 in.w.g (ESP), enough for even the largest units in multi-family construction.

The E130-HF-M-N includes Aldes' exclusive FLEXControl, electronic calibration that eliminates the need for balancing dampers and improves overall efficiency. Cold Supply Air Prevention (CSAP) stops air distribution to the dwelling for 135-minute cycles if the supply air temperature is below freezing, reducing the risk of damage to downstream equipment.

### KEY FEATURES

Electronically and independently adjustable supply and exhaust blowers (FLEXControl)

Horizontal configuration for flexible mounting

Drainless for simplified installation

Easy access to core and filters for cleaning

Twist-in collars for easy flex-duct attachment



### Recovery Core

Material: High-latent-transfer (HLT)

### Casing

Material: Pre-painted 24-gauge galvanized steel

Drain Connection: None

Duct Connections: 5" (127 mm)

Insulation: 1" (25 mm) Fiberglass with FSK and polystyrene

Length: 24-1/8" (613 mm)

Height: 9-1/4" (235 mm)

Width: 22-1/4" (565 mm)

Weight: 35 lbs (16 kg); Shipping Weight: 41 lbs (19 kg)

Backdraft exhaust damper



### Mounting

Ceiling mount brackets (included) and optional chains (P/N 609051)



### Electrical requirement

120 VAC, 60 Hz, 1.1 A, 103W



### Frost control

Automatic timed integral exhaust defrost

Cycles controlled by a temperature sensor when the outdoor temperature drops below 14°F (-10°C)



### Filters

Type : 2 Washable Foam 20 ppi (P/N 612405)

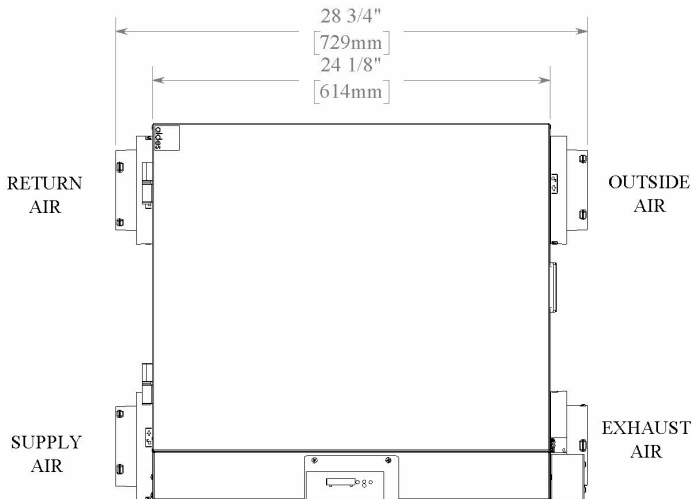
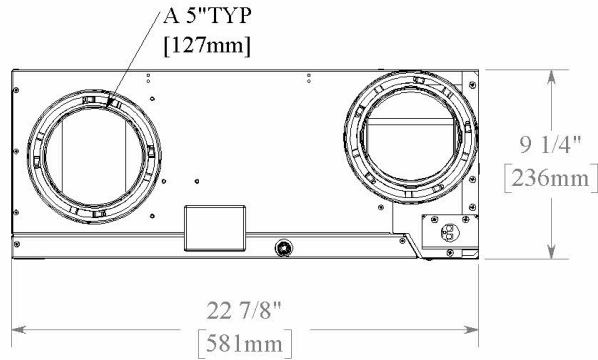
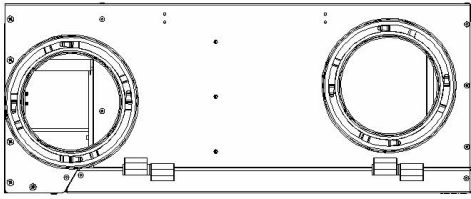
Optional (sold separately): Washable MERV8 (P/N 683961), or High Efficiency/MERV13 Equivalent (P/N 612407)



### Blowers

Two motorized impeller (backward-inclined)

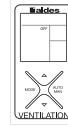
# DIMENSIONS



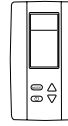
OPTIONAL FILTERS  
(SOLD SEPARATELY)  
MERV8:  
add 0.1" w.g.  
High Efficiency:  
add 0.2" w.g.

# CONTROLS

Low voltage dry contact (24VAC) for interlock with heating/cooling systems.



Digital Multifunction Control  
(P/N 611242-FC)



LCD Electronic Multifunction  
Control (P/N 611227)



20/40/60 Minute Timer  
(P/N 611228)

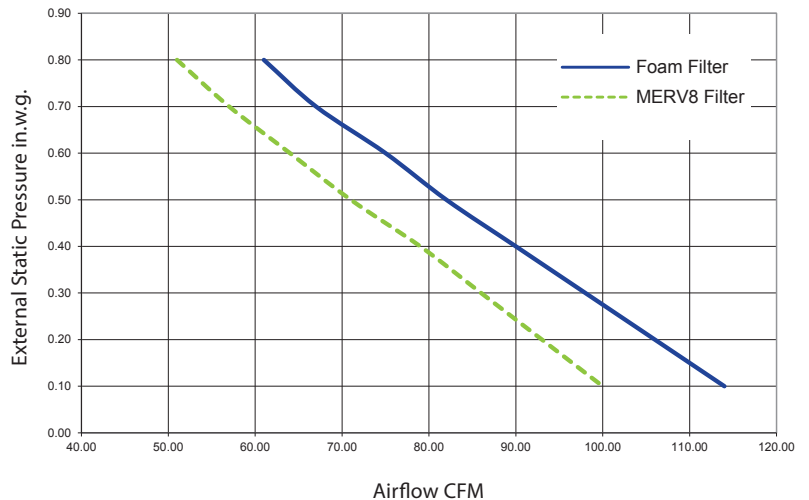


Speed Control (Low/Intermittent/High)  
(P/N 611229)

# PERFORMANCE

Recovery Performance – E130-HF-M-N								
Outside Air Temperature		Net Airflow		Power Consumed (W)	Sensible Recovery Efficiency	Adjusted Sensible Recovery Efficiency	Latent Recovery / Moisture Transfer	Total Recovery Efficiency
°F	°C	CFM	L/s					
<b>Heating</b>								
32	0	51	24	44	69%	75%	68%	--
32	0	64	30	66	65%	70%	63%	--
32	0	100	47	100	59%	65%	58%	--
14	-10	51	24	48	66%	71%	67%	--
<b>Cooling</b>								
95	35	51	24	48	--	--	52%	53%

## E130-HF-M-N Ventilation Performance



Project:	
Location:	
Model #:	
Quantity:	
Submitted By:	
Date:	
Architect:	
Engineer:	
Contractor:	
Comments:	

For more information, contact your Aldes sales advisor, visit [aldes-na.com](http://aldes-na.com), call 1.800.255.7749, or find us on



©2024 American ALDES Ventilation Corporation and ALDES Canada. All Rights Reserved. Reproduction or distribution, in whole or in part, of this document, in any form or by any means, without the express written consent of American ALDES Ventilation Corporation and/or ALDES Canada, is strictly prohibited. The information contained within this document is subject to change without prior written notice.

Corporation and/or ALDES Canada, is strictly prohibited. The information contained within this document is subject to change without prior written notice.