



AIRFLOW & ZONE CONTROLS

Motorized Dampers

With End Switch

INSTALLATION
OPERATION
MAINTENANCE

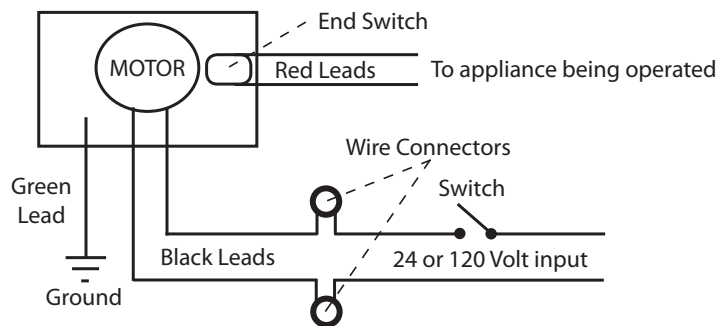
READ AND SAVE THESE INSTRUCTIONS

24 VAC and 120 VAC Round Damper Wiring Instructions

Important: Always wire according to local codes.

DAMPER WIRING IDENTIFICATION

Black Leads: 24 or 120 Volt input
Green Lead: Ground (120V models)
Red Leads: 24 or 120 Volt



To Remove/Install Motor Cover (120 V only)

- A. To remove cover, press in and lift up on end of motor cover with wire hole.
- B. To install motor cover, place tab on solid end of cover into small slot in motor mount. Swing cover over motor and slip second tab into larger slot.



Damper Motor carries C-UL-US Component Recognition Mark.

FLOW CONTROL ADJUSTMENT

MINIMUM FLOW ADJUSTMENT

Minimum airflow can be set by loosening the bolt on the shaft and turning the damper from the fully closed position to leave a gap between the gasket and the damper blade. Re-tighten the bolt with the damper at the desired opening.

WARRANTY

Product guaranteed to be free of defective material or workmanship for a period of one (1) year from the date of delivery.

© 2015 American ALDES Ventilation Corporation. Reproduction or distribution, in whole or in part, of this document, in any form or by any means, without the express written consent of American ALDES Ventilation Corporation, is strictly prohibited. The information contained within this document is subject to change without prior written notice.

American ALDES Ventilation Corporation • 4521 19th Street Court East, Suite 104 • Bradenton, FL 34203 – USA
941.351.3441 • 800.255.7749 • 941.351.3442 (fax) • info@americanaldes.com • www.aldes.us

motorized-damper_om_1215